

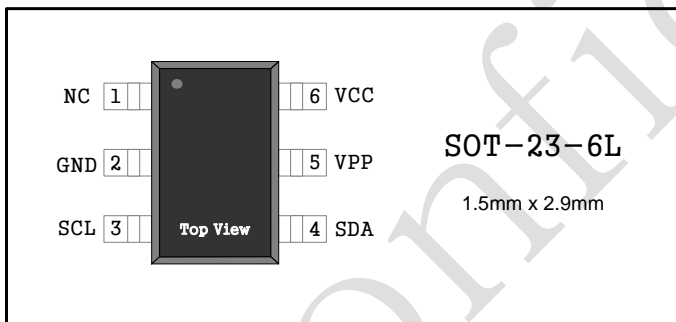
Features

- High performance illegal copy protection IC
- 128bits encryption and decryption applied with AES-128
- 128bits OTP cells for user serial code
- IIC Serial Interface, Supporting up to 400 Kbps
- 3.3V/1.8V Operation Voltage
- Built-in 16 MHz OSC
- Two Power Mode (Active, Sleep)

Applications

- DMB, Navigation
- Mobile Phone, PMP, MP3
- DVR(PVR), DVDP
- Set-Top Boxes (STBs)
- Etc.(Most of electronic system using u-Processor)

Pin Configuration



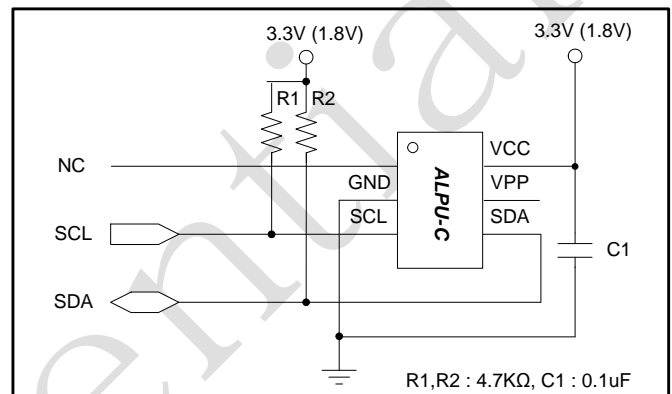
Ordering Information

Part	Operation Voltage	Package Type
ALPU-C	3.3V	SOT-23-6L
ALPU-CL	1.8V	SOT-23-6L

General Description

The ALPU-C is the high-end IC among the ALPU series. Its encryption core is based on Rijndael AES-128 with 192-bits programmable parameters. It is a slave device that always operates with MCU through the serial bus.

Typical Operation Circuit



< SOT-23-6L Package Type >

Encryption Flow

